
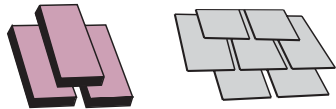
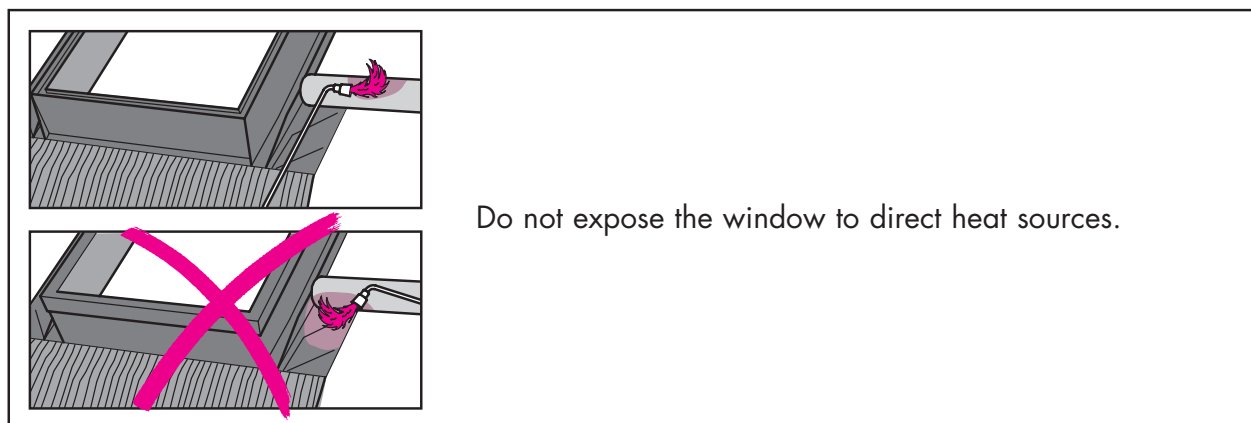
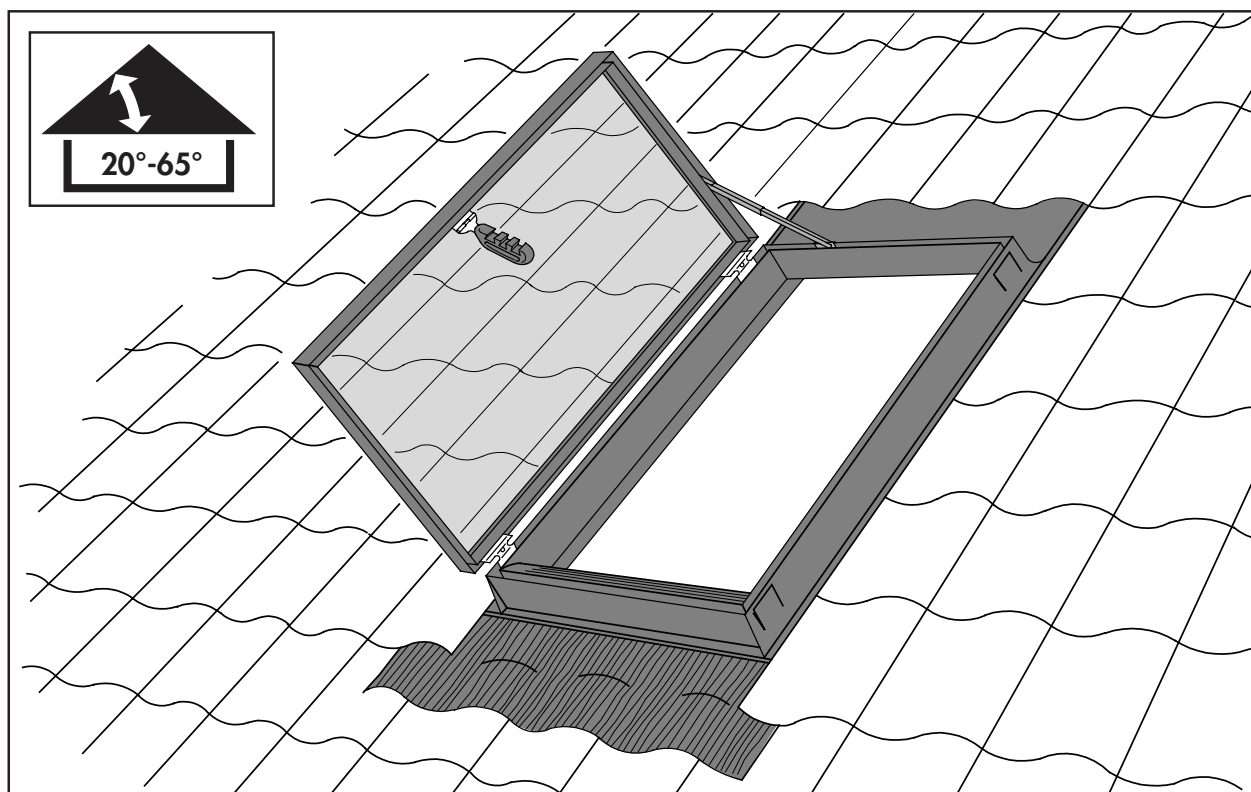
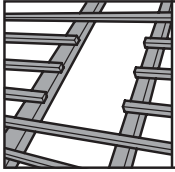
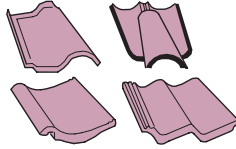
 <p>P. 2-6 Profiled roofing material</p>	 <p>P. 7-11 Flat roofing material</p>	 <p>P. 12-15 Plain tiles</p>
---	--	--

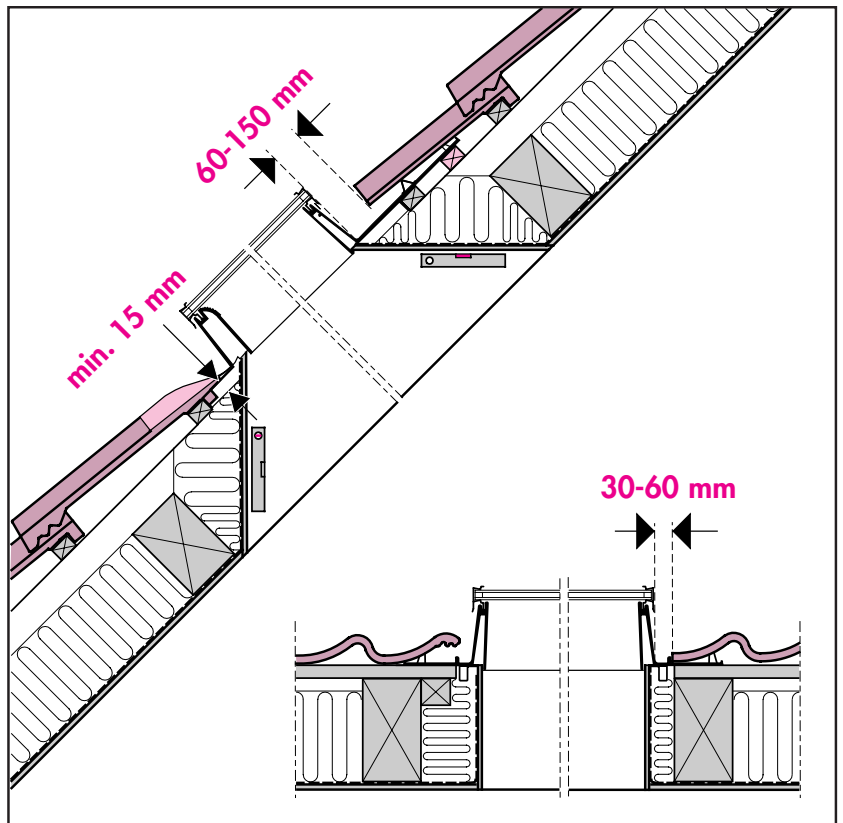
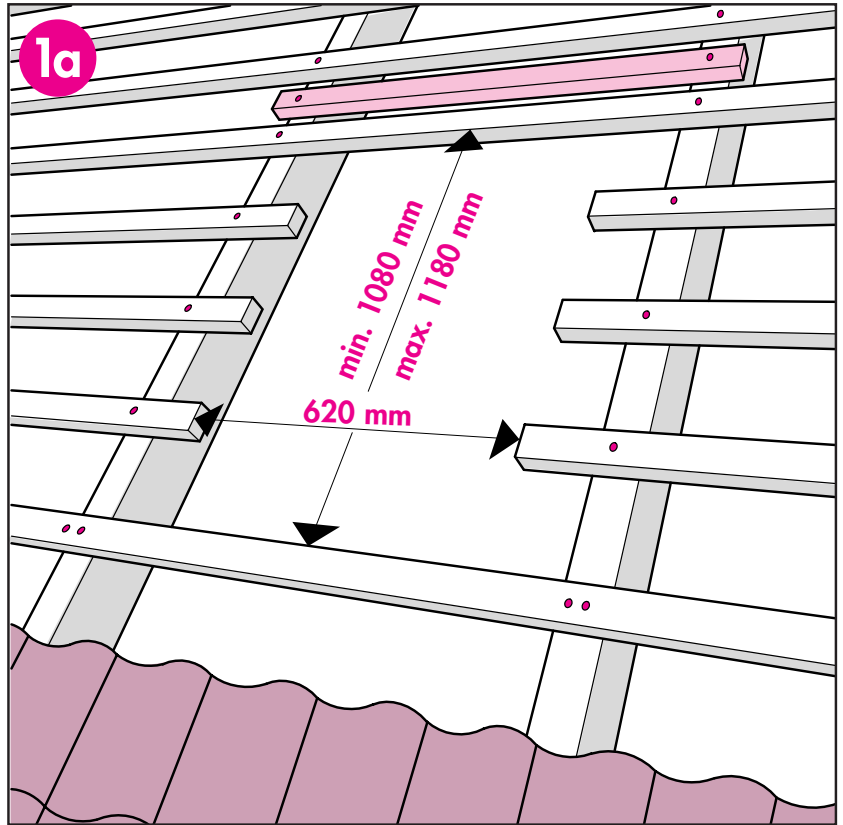


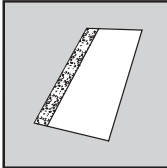


Rafter construction with profiled roofing material, max. 60 mm

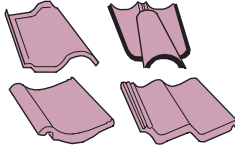


1a Illustration shows roofing construction without underfelt. Roofing construction with underfelt, see page 16. Fix window directly onto roof battens. Ensure that the bearing (lower) batten is continuous over the adjacent rafters. Fix the bearing batten with two nails in each rafter. If necessary a supporting batten should be fitted at the top.

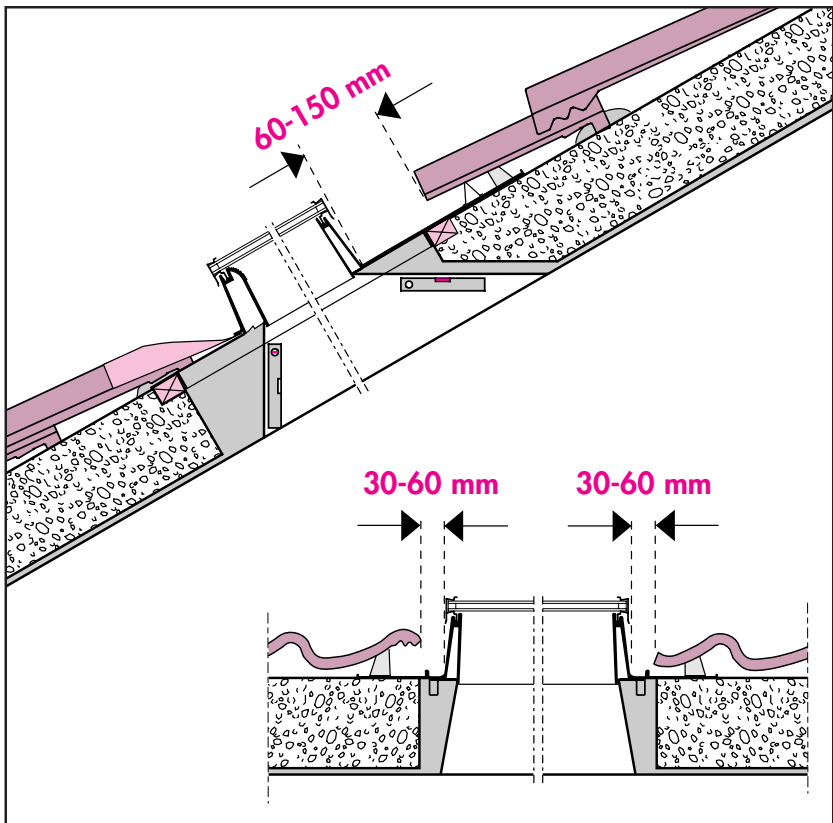
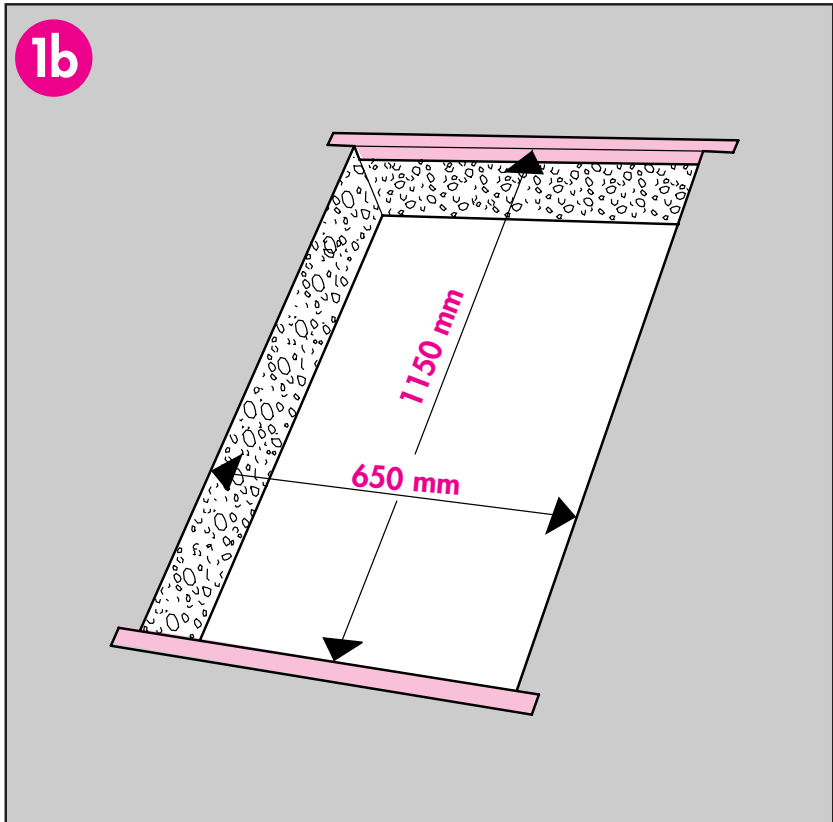




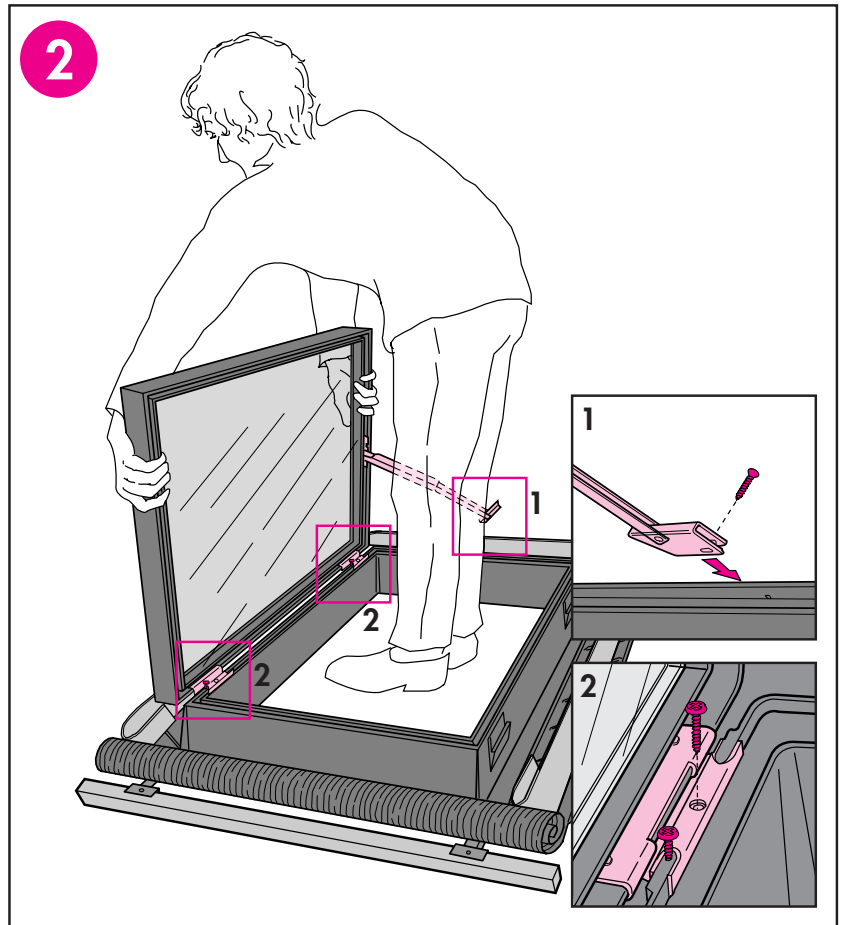
Concrete slab with profiled roofing material, max. 60 mm



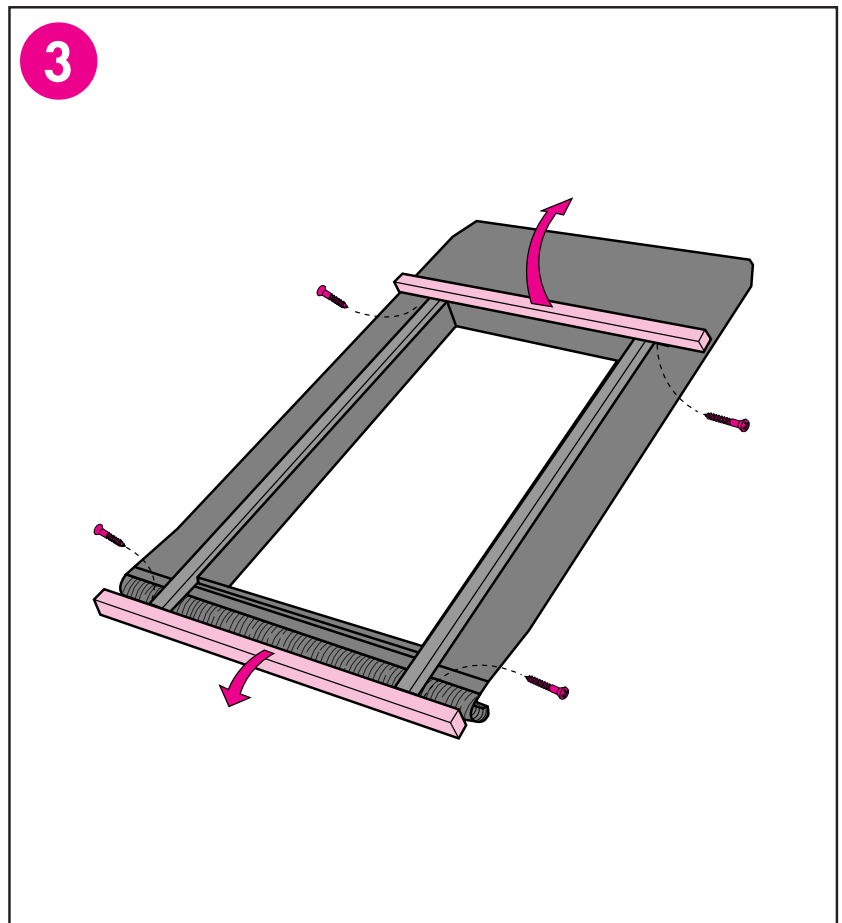
1b Fix window directly onto battens countersunk in concrete.



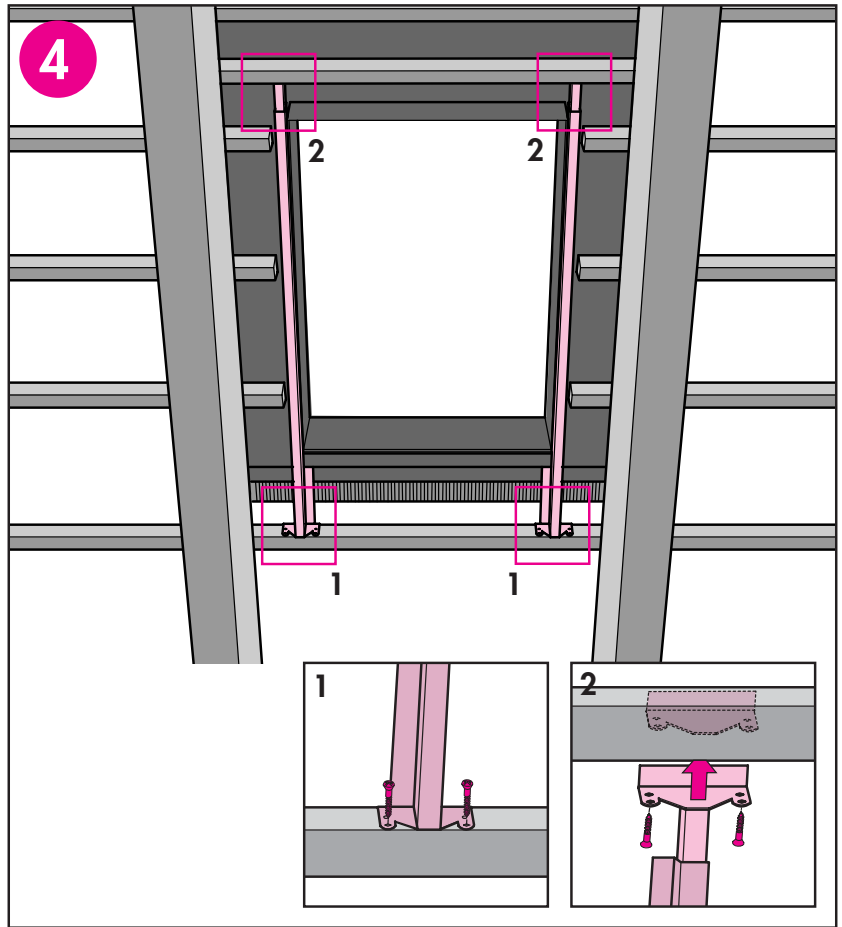
- 2 Sash may be removed to facilitate installation. Release restrictor stay from frame (1). Remove screws in the middle of the hinges and loosen screws at the bottom (2).



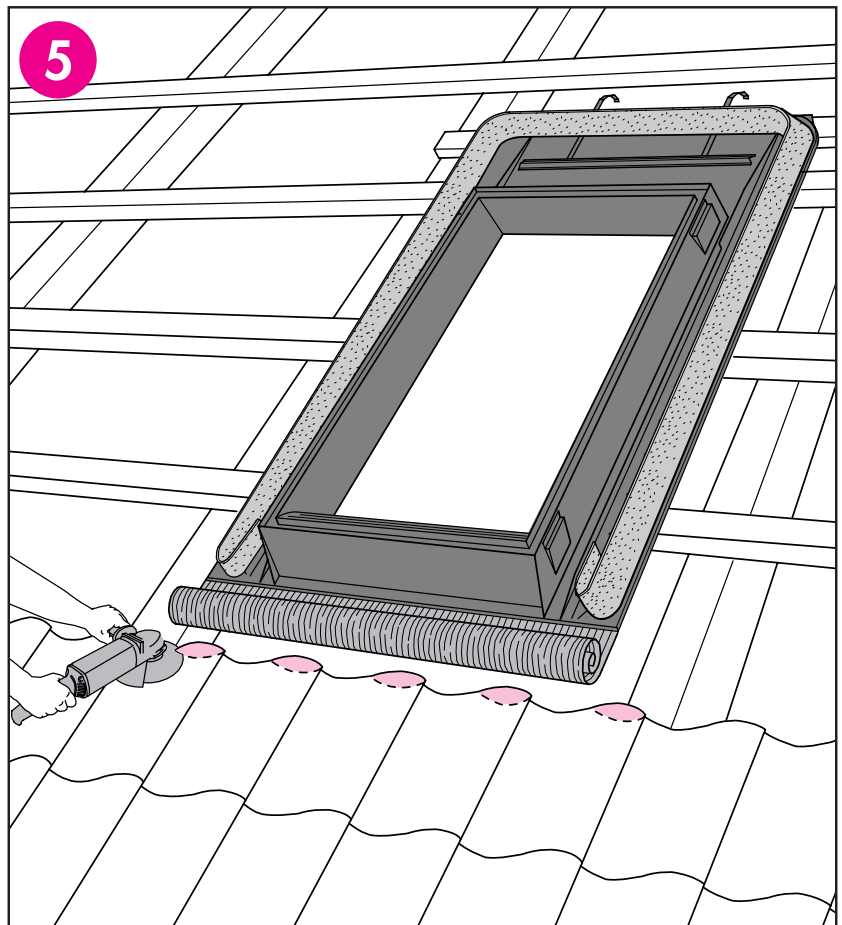
- 3 Remove transportation battens.



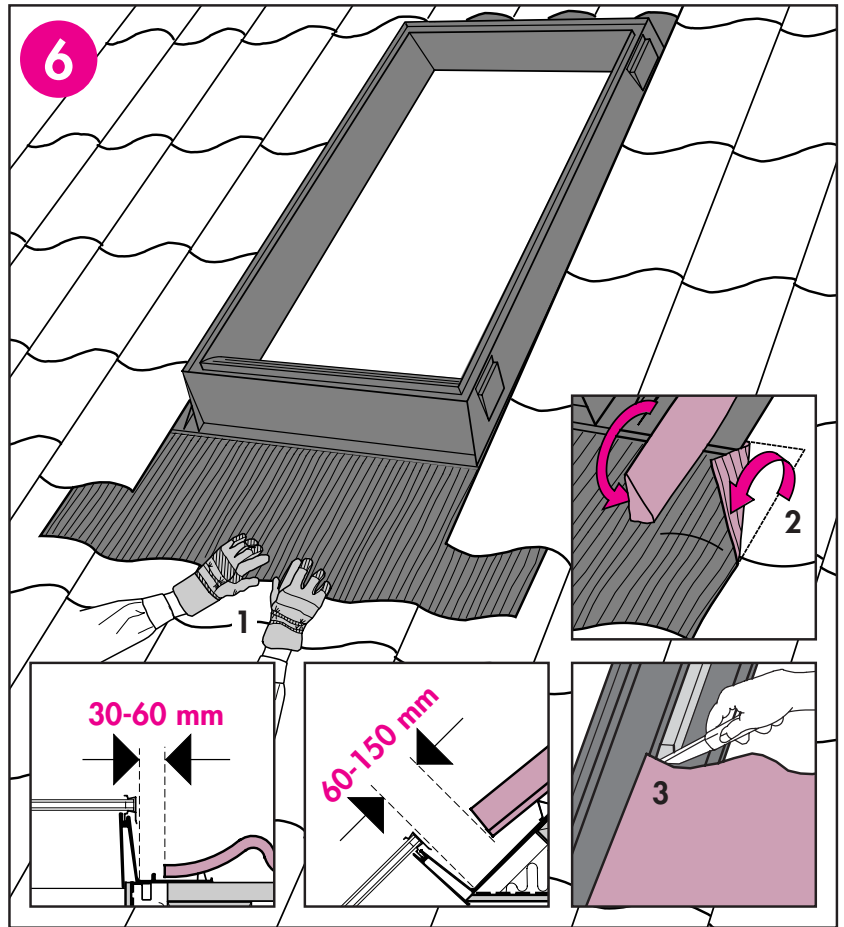
- 4 Fix bottom brackets with two screws (1). Push top adjustable brackets up towards batten and fix with screws (2).



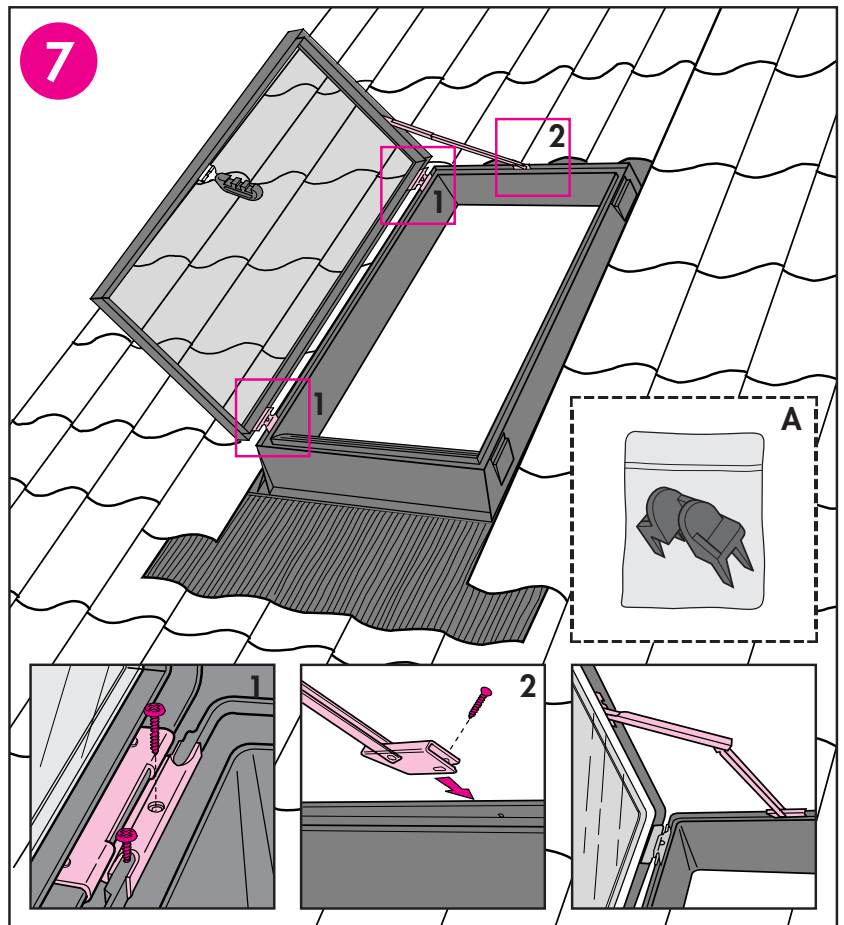
- 5 You must not cut the course of tile below the window. If necessary, profiles should be chamfered as shown.

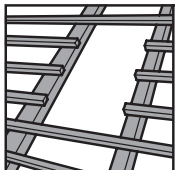


- 6 Dress apron over roofing material (1), bending it at the sides (2) to prevent water from penetrating the corners. Place roofing material, maintaining a distance of **30-60 mm** to side frame and a distance of **60-150 mm** to top frame. Slit foam gasket just above each tile to allow gasket to seal against underside of tiles (3).

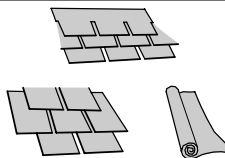


- 7 Replace sash and fasten screws (1). Fix restrictor stay (2). If sash is to be positioned on the opposite side, see instructions in bag (A).

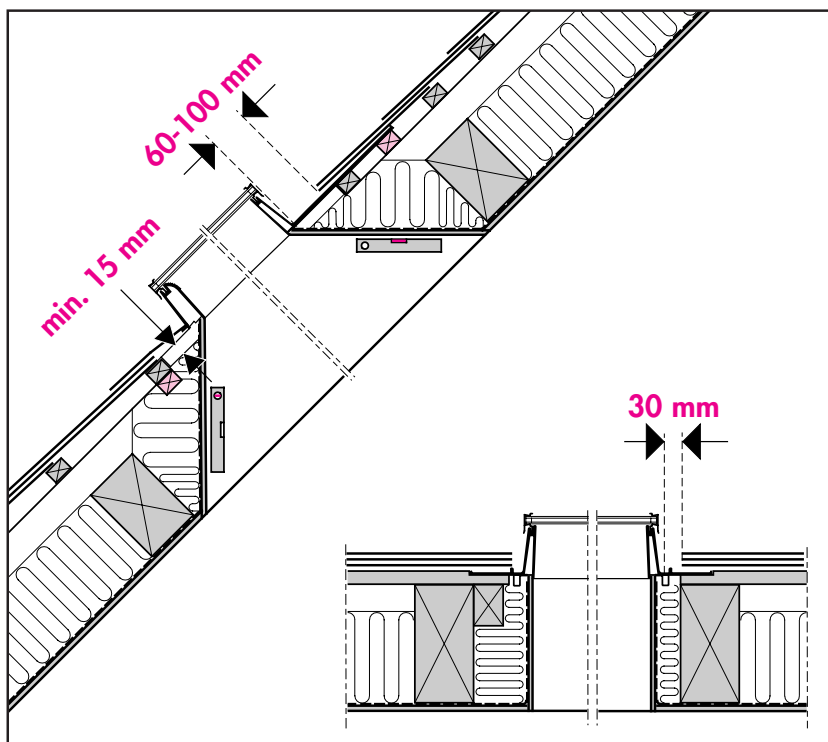
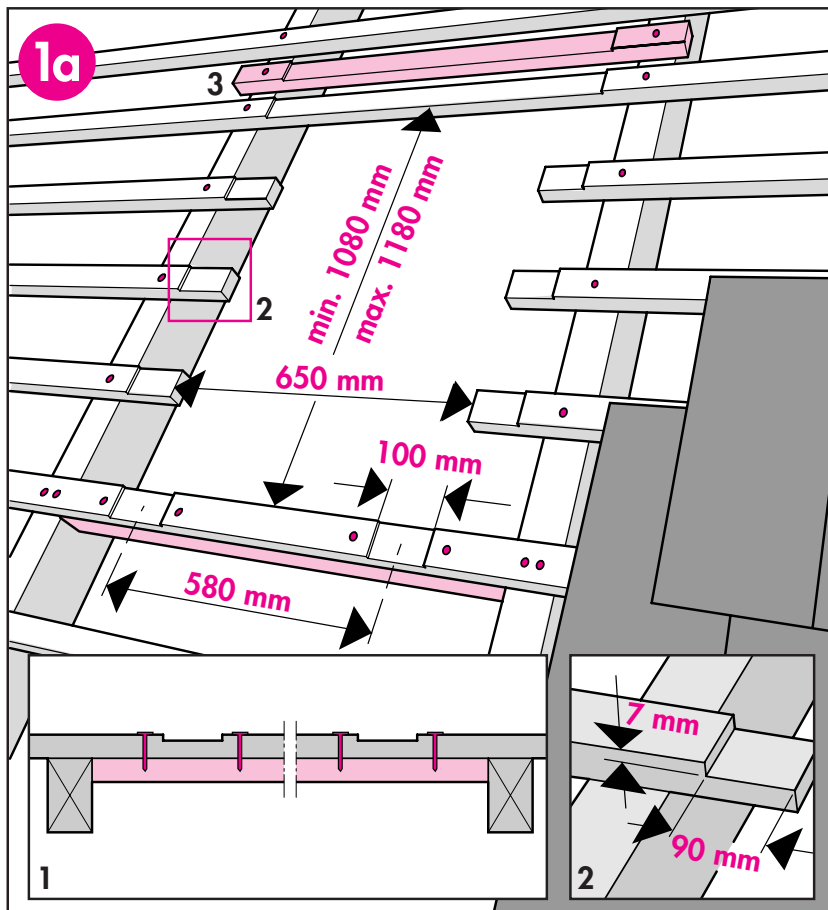


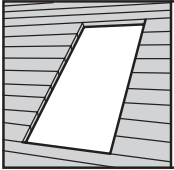


Rafter construction with flat roofing material

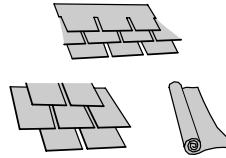


1a Illustration shows roofing construction without underfelt. Roofing construction with underfelt, see page 16. Fix window directly onto roof battens. Ensure that the bearing (lower) batten is continuous over the adjacent rafters. Fix the bearing batten with two nails in each rafter. Fix a supporting batten under the bearing batten (1) with minimum 4 nails. Remove **7 mm** rebate from battens as shown (2). If necessary, a supporting batten may be fitted at the top (3).

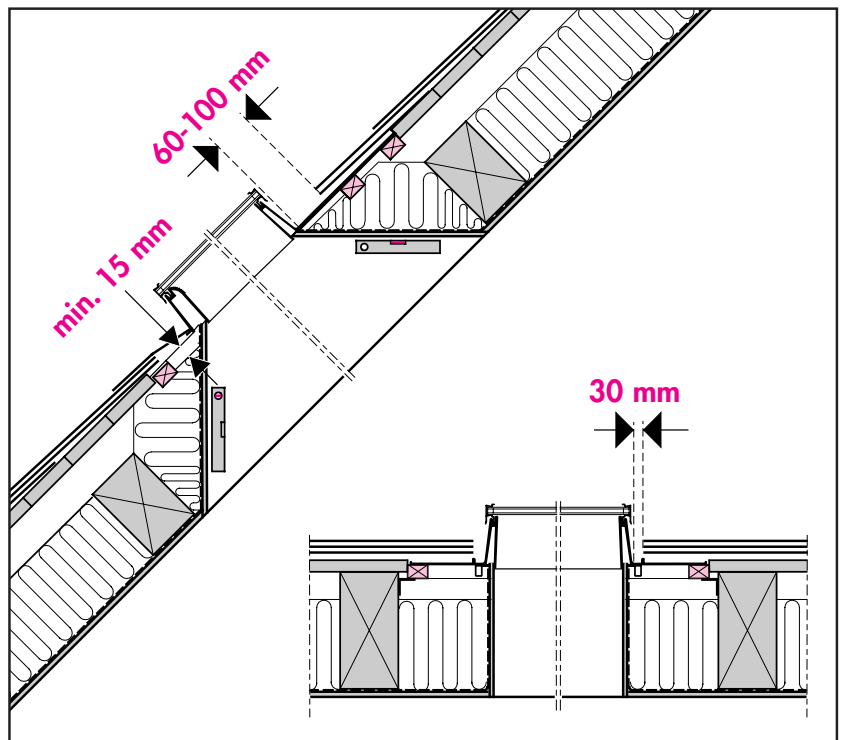
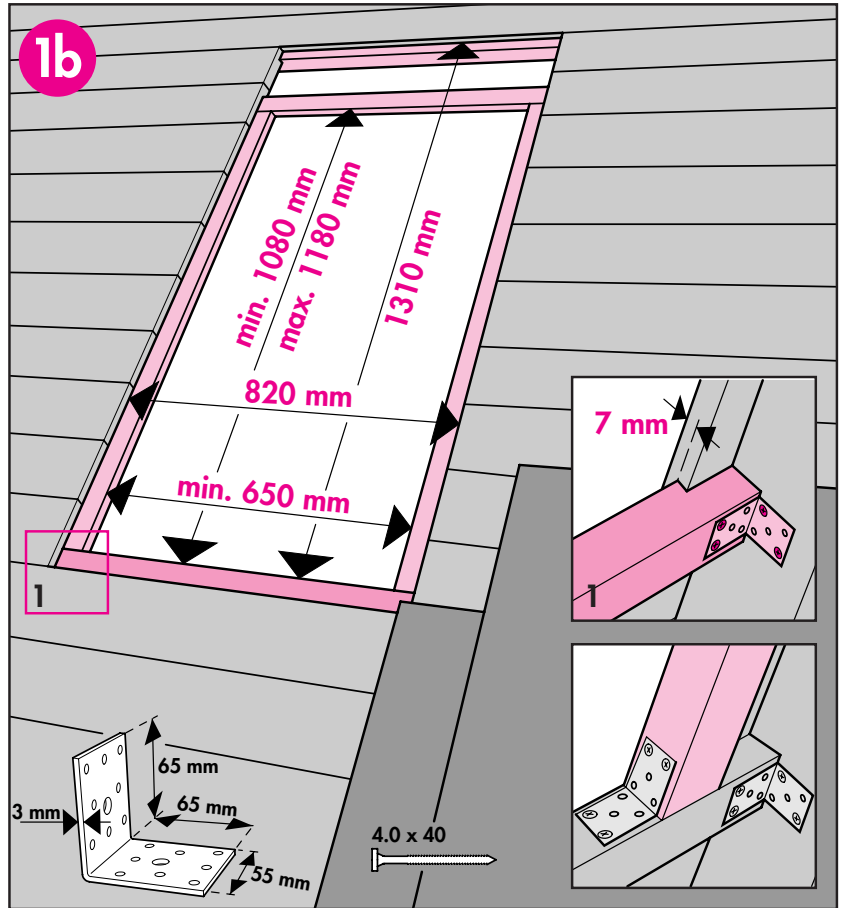




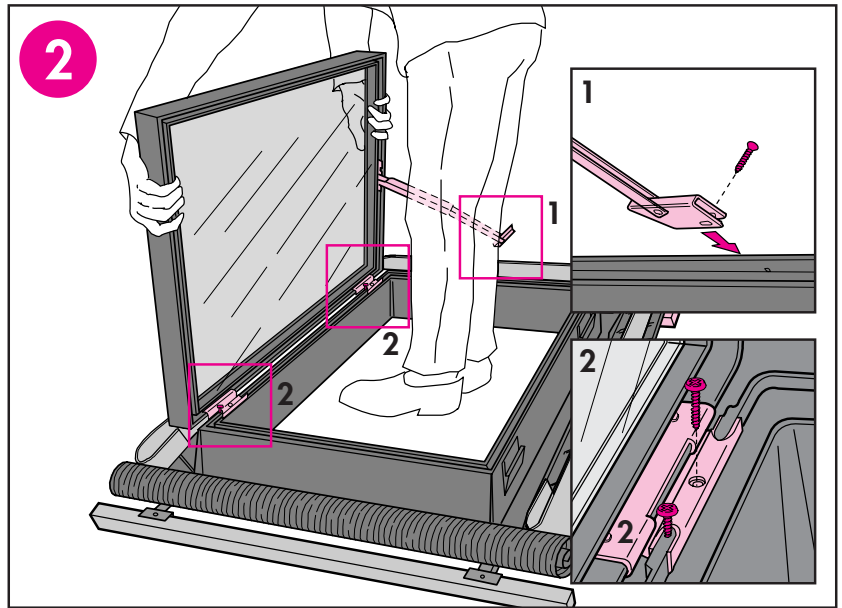
Boarded roof with flat roofing material



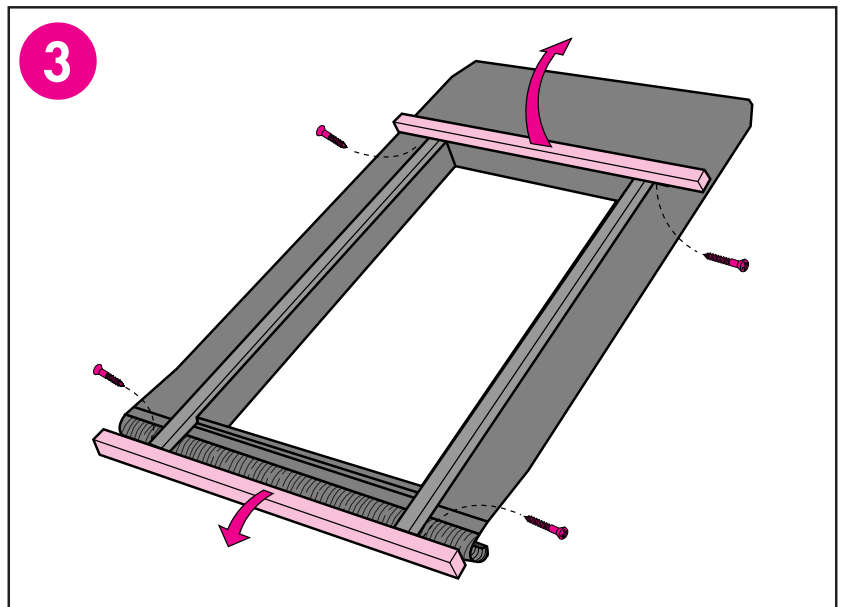
1b In boarded roofs with up to **900 mm** between rafters supporting battens must be positioned **7 mm** below surface of boards. Fix supporting battens (1) with brackets and annular ring shanks with shown dimensions. Fix each bracket to rafters with two annular ring shanks.



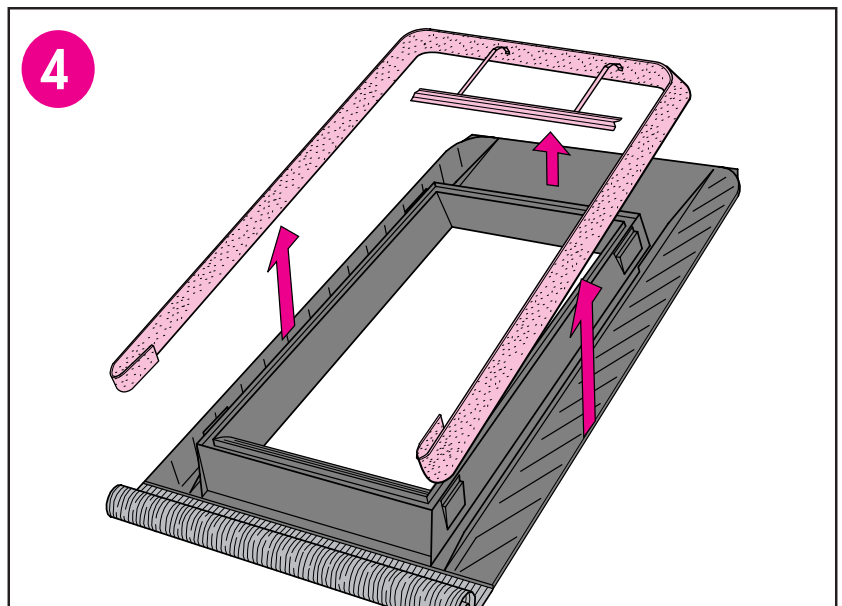
- 2 Sash may be removed to facilitate installation. Release restrictor stay from frame (1). Remove screws in the middle of the hinges and loosen screws at the bottom (2).



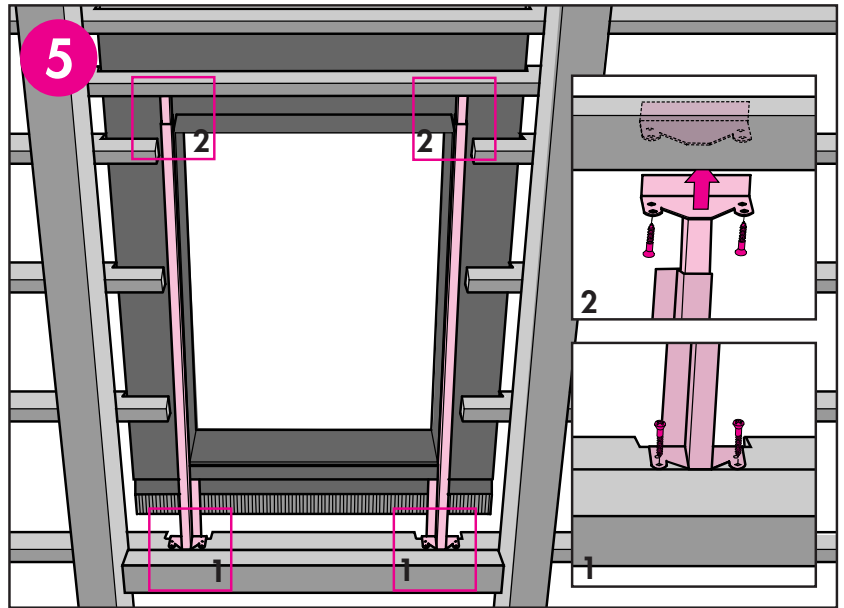
- 3 Remove transportation battens.



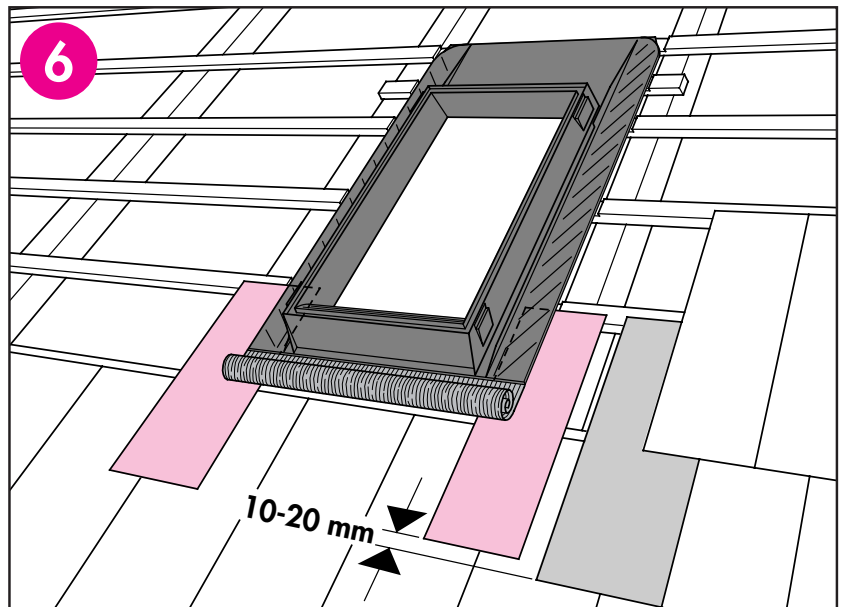
- 4 Remove foam and tile support.



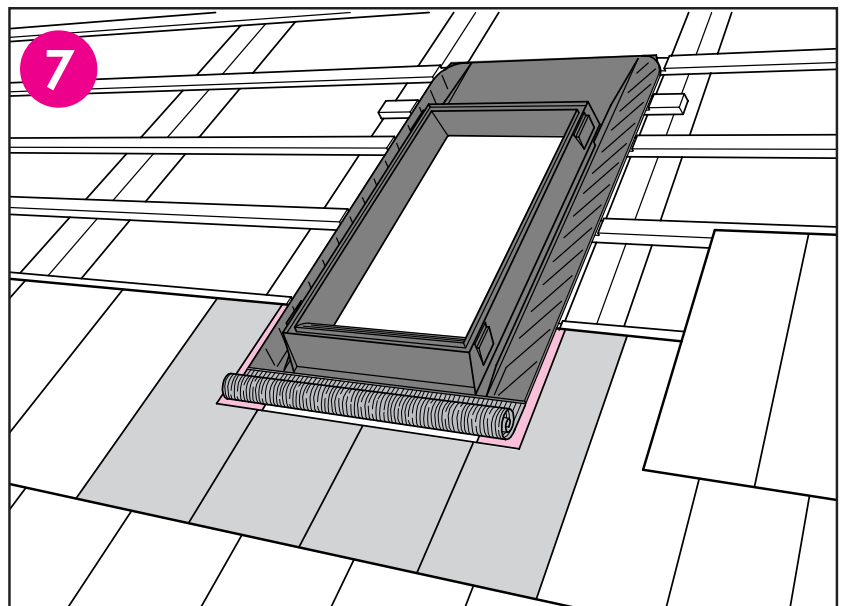
- 5 Fix bottom brackets with two screws (1). Push top adjustable brackets up towards batten and fix with screws (2).



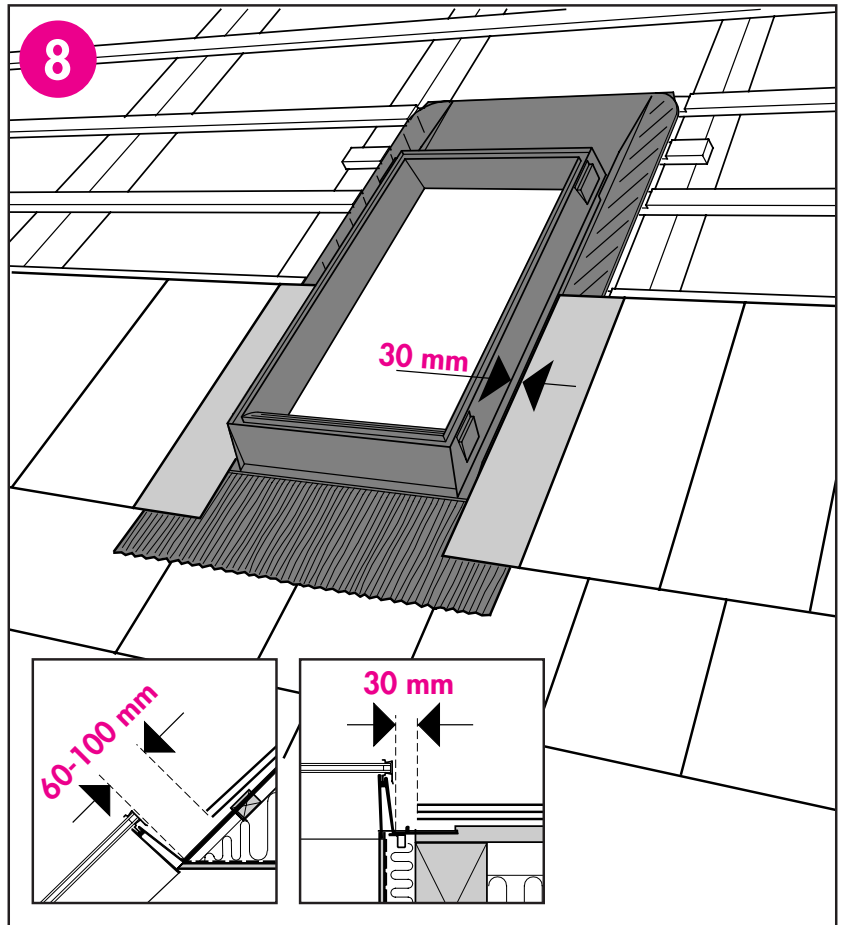
- 6 Cut two pieces of aluminium or zinc and fit around bottom corners.



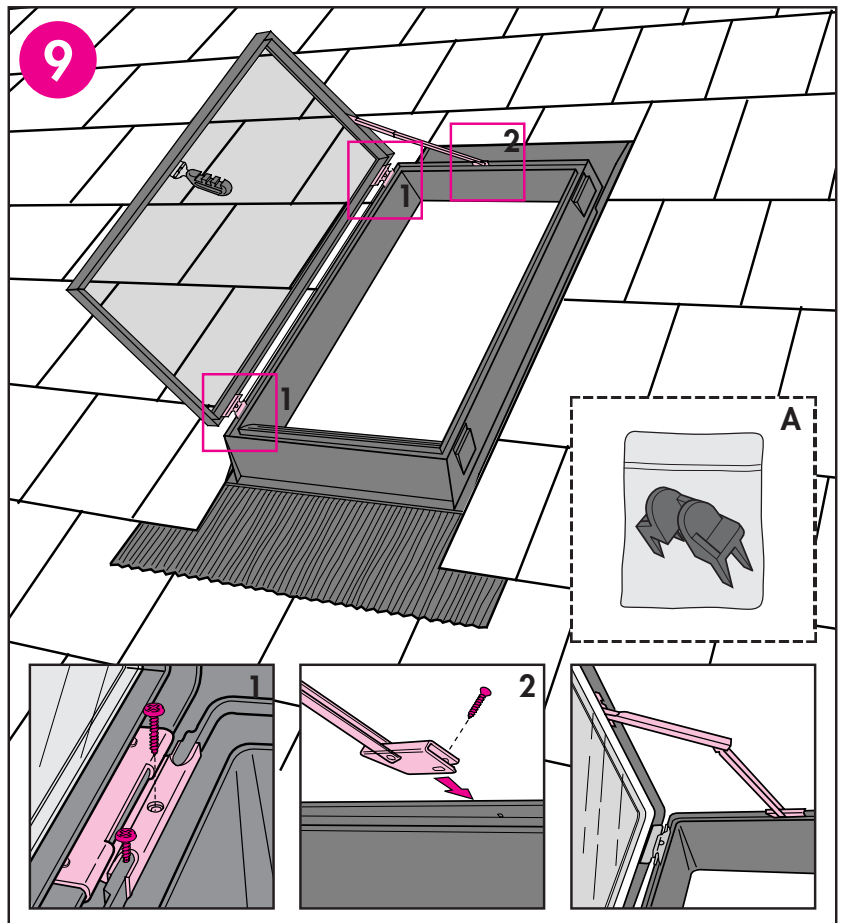
- 7 Adjust and position roofing material below window.

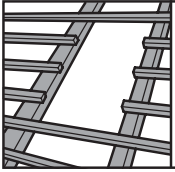


- 8 Roll out apron. Place roofing material, maintaining a distance of **30 mm** to side frame and **60-100 mm** to top frame.

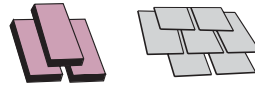


- 9 Replace sash and fasten screws (1). Fix restrictor stay (2). If sash is to be positioned on the opposite side, see instructions in bag (A).

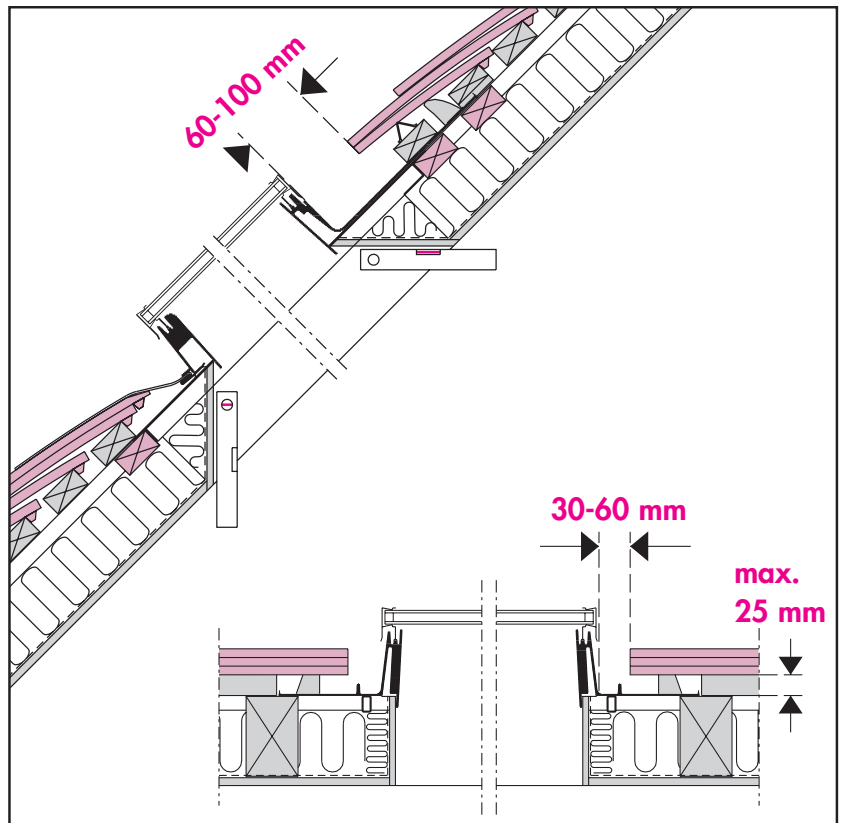
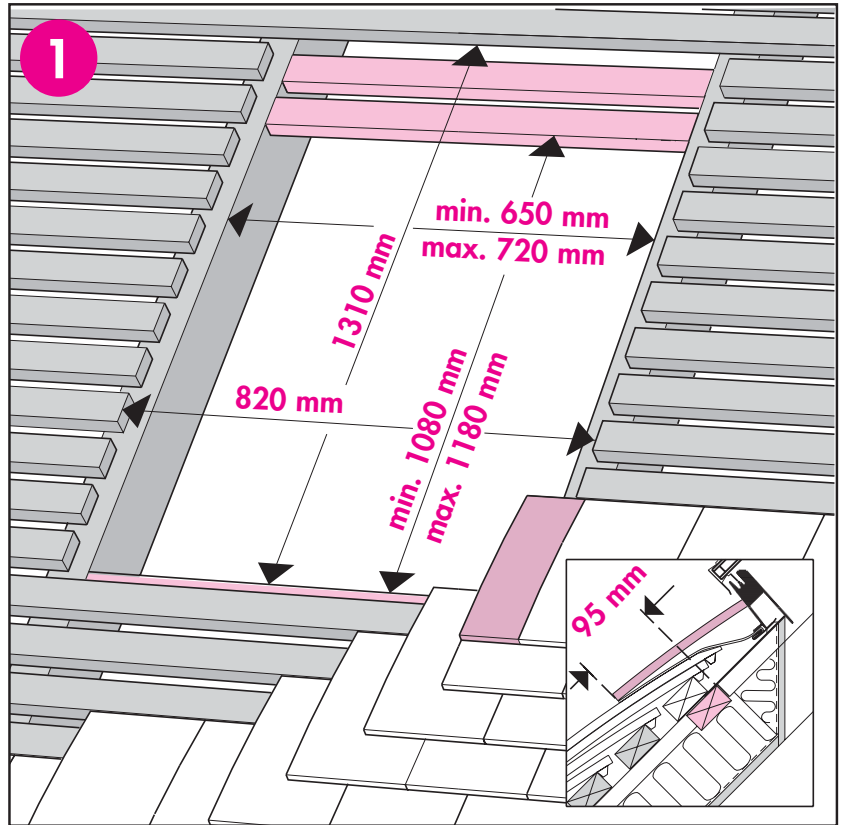




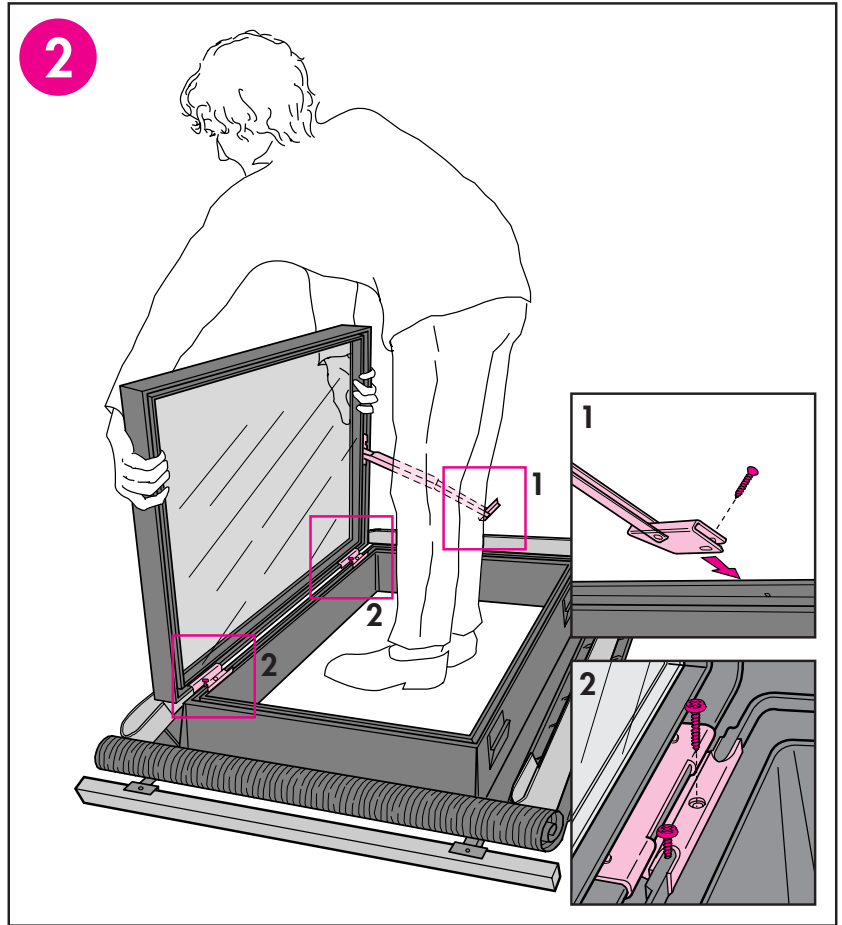
Rafter construction with plain tiles and slates. Window recessed max. 25 mm.



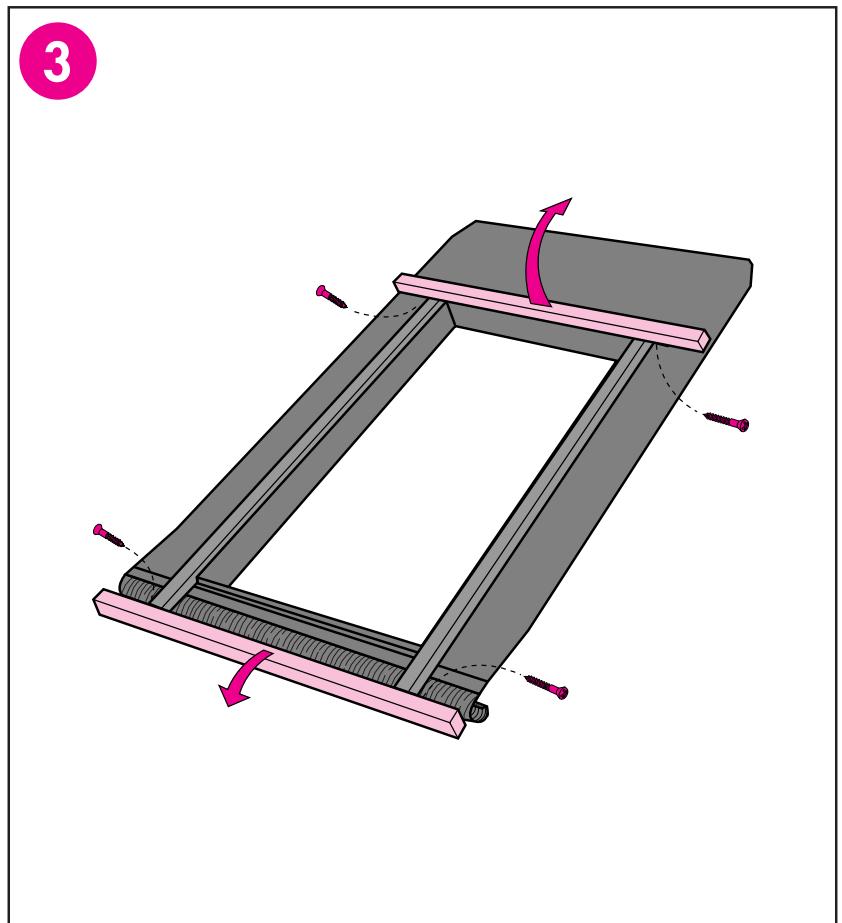
- 1 Fit supporting frame, maintaining a distance of 95 mm to bottom of adjacent tile. Fix remaining frame work. Install window directly on to framing.



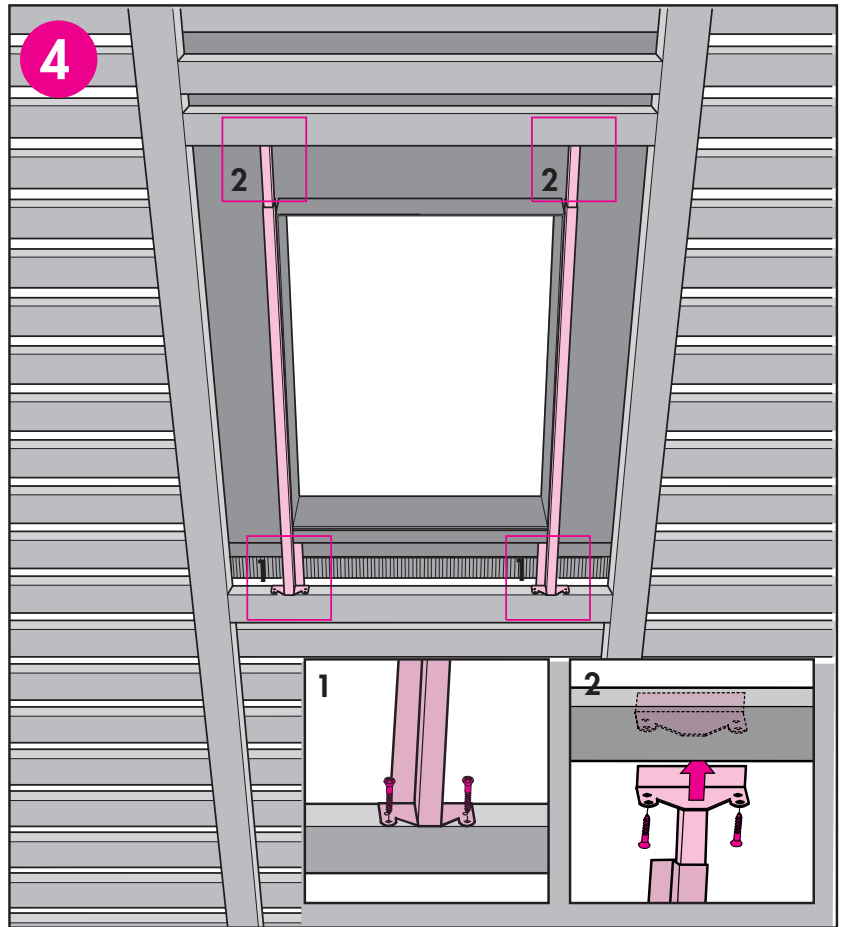
- 2 Sash may be removed to facilitate installation. Release restrictor stay from frame (1). Remove screws in the middle of the hinges and loosen screws at the bottom (2).



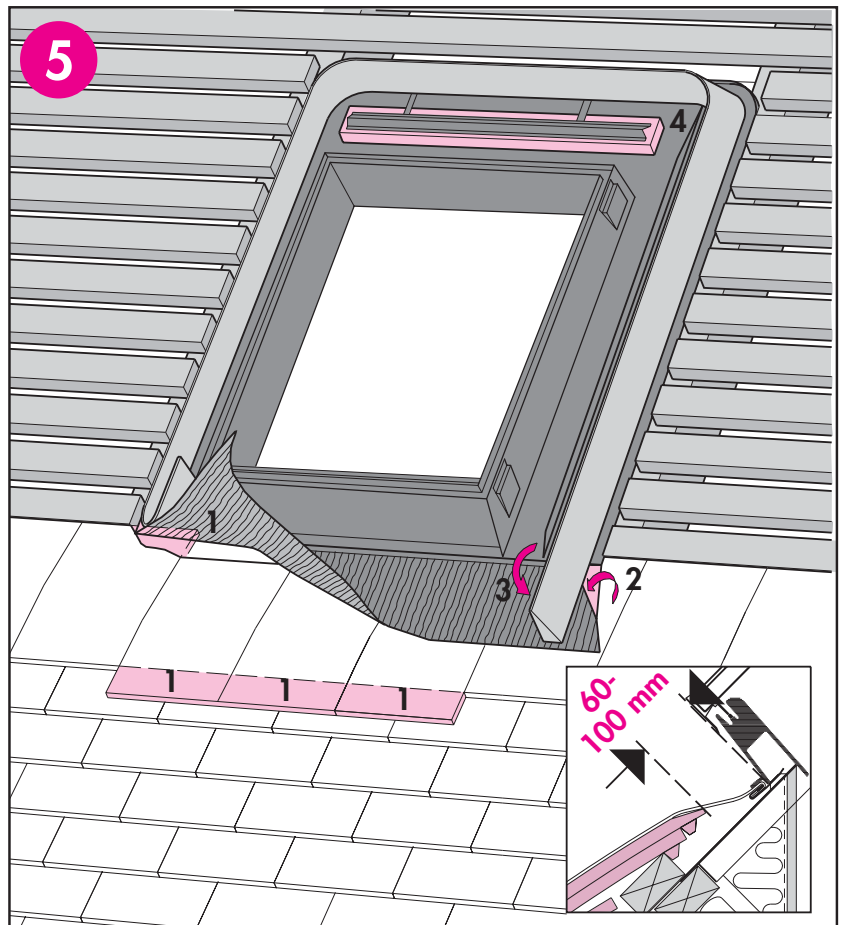
- 3 Remove transportation battens.



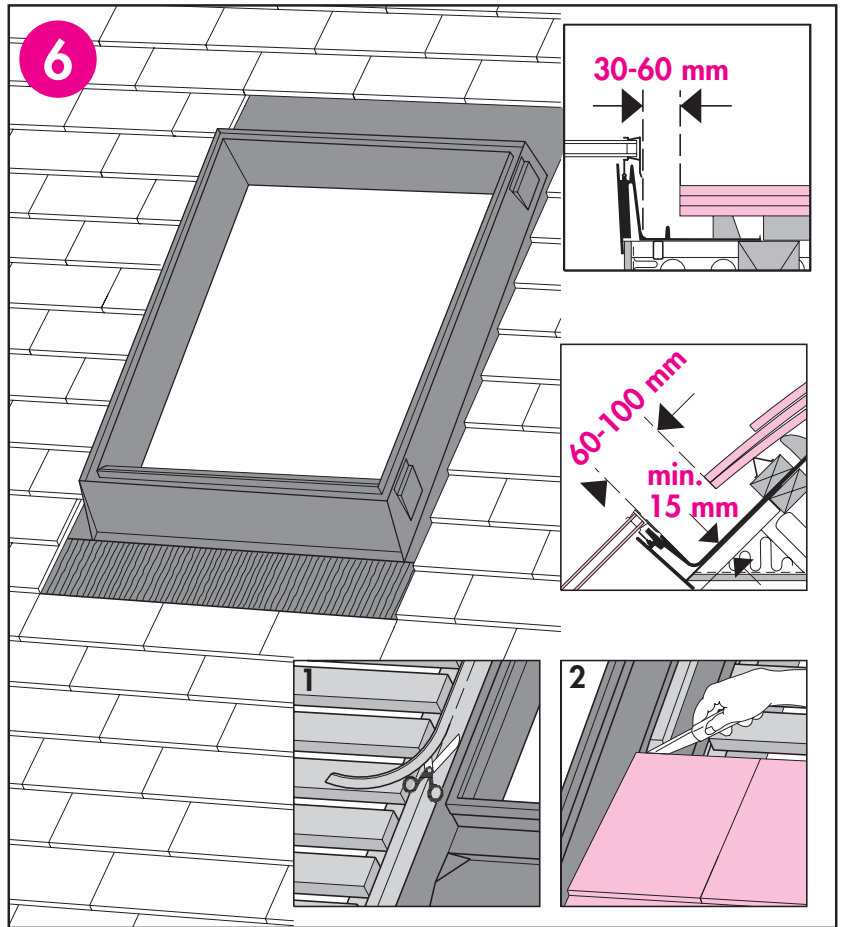
- 4 Fix bottom brackets with two screws (1). Push top adjustable brackets up towards batten and fix with screws (2).



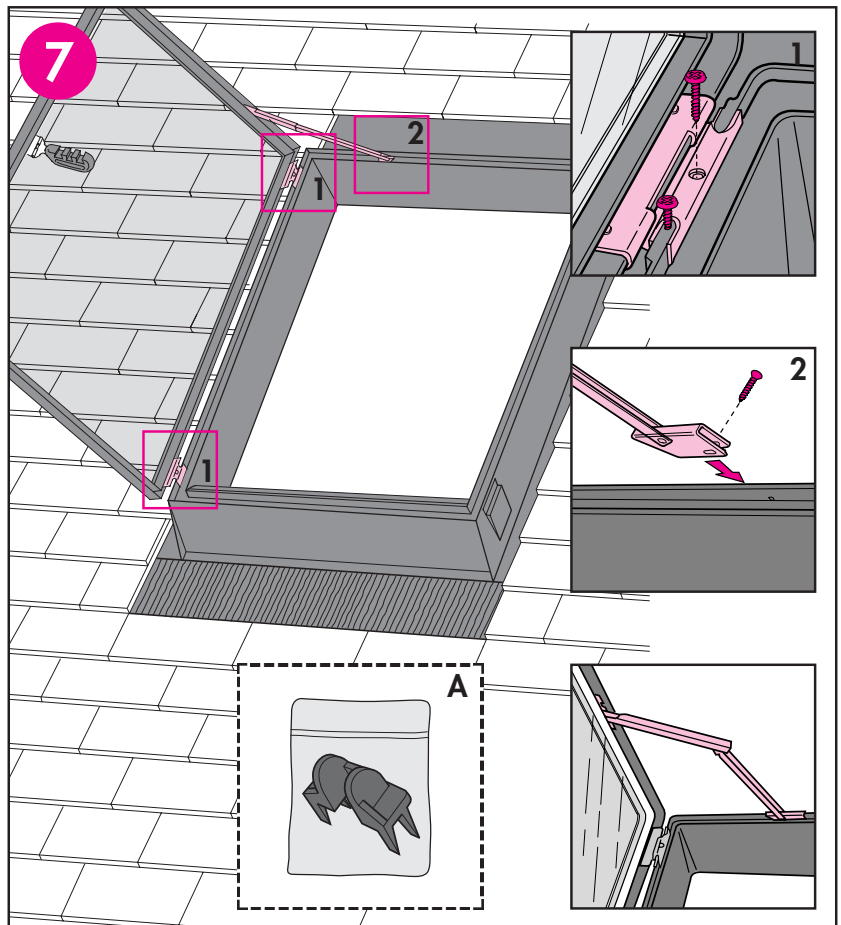
- 5 Position roofing material, maintaining a distance of 60-100 mm from bottom frame. Cut the roofing material below the window (1). Bend lead apron at the sides to prevent water penetrating at corners (2). Unfold foam gasket (3). It may be necessary to fit the optional tile support provided on a batten at the top of the window (4).



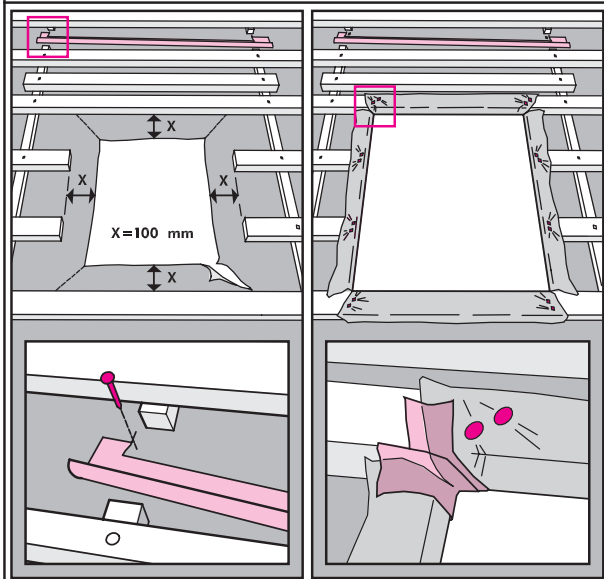
- 6 Position roofing material, maintaining a distance of **30-60 mm** at sides of frame and **60-100 mm** at top (1). Trim foam gasket at the sides. Slit foam gasket just above each tile to allow gasket to seal against underside of tiles (2).



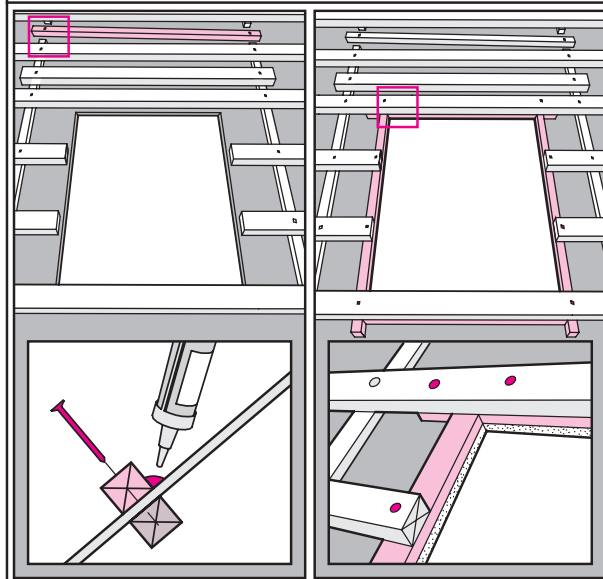
- 7 Replace sash and fasten screws (1). Fix restrictor stay (2). If sash is to be positioned on the opposite side, see instructions in bag (A).



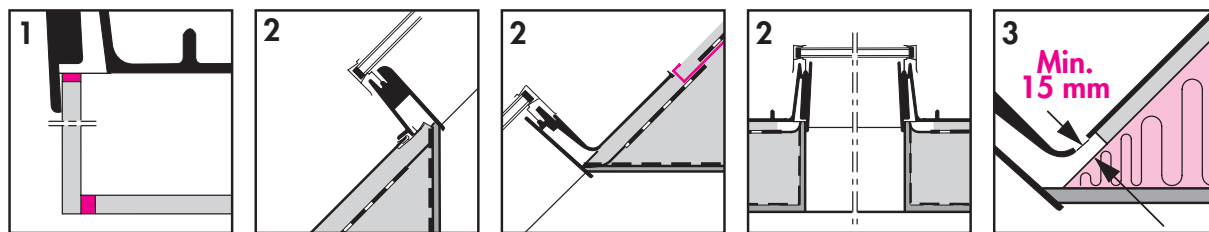
Soft underroof



Hard underroof



Take care to ensure a tight joint between frame rebate and lining, also between lining and ceiling finish (1). Details showing treatment of underfelt, over-window drainage, and fixing of vapour barrier to VELUX lining (2). Distance between flashing and insulation must be **min. 15 mm** everywhere (3).



English: If you need further information on installation of this product, please contact VELUX.

Deutsch: Sollten Sie weitere Informationen über den Einbau dieses Produktes wünschen, rufen Sie uns bitte an.

Français : Si vous souhaitez recevoir des informations complémentaires sur l'installation de ce produit, veuillez prendre contact avec VELUX.

Dansk: Hvis De ønsker yderligere oplysninger vedrørende monteringen af dette produkt, kan De kontakte VELUX.

Nederlands: Indien u meer informatie over de inbouw van dit product wenst te ontvangen, neemt u dan gerust contact op met VELUX.

Italiano: Se avete bisogno di ulteriori informazioni sull'installazione di questo prodotto, Vi preghiamo di contattare la VELUX.

Español: Si necesita mayor información sobre la instalación de este producto, por favor contacte con VELUX.

A: VELUX Österreich GmbH
☎ 02245/32 3 50

AUS: VELUX Australia Pty. Ltd.
☎ (02) 9550 3288

B: VELUX Belgium
☎ (010) 42.09.09

CDN: VELUX Canada Inc.
☎ 1 800 88-VELUX (888-3589)

CH: VELUX Schweiz AG
☎ 062/289 44 44

D: VELUX Deutschland GmbH
☎ 0180-333 33 99

DK: VELUX Danmark A/S
☎ 45 16 45 16

E: VELUX Spain S.A.
☎ 91 509 71 00

F: VELUX France
☎ 0821 02 15 15
0,119€ TTC/min

FIN: VELUX Suomi Oy
☎ 09-887 0520

GB: VELUX Company Ltd.
☎ 0870 380 9593

I: VELUX Italia s.p.a.
☎ 045/6173666

IRL: VELUX Company Ltd.
☎ 01 816 1616

J: VELUX-Japan Ltd.
☎ 03-3478-8141

N: VELUX Norge AS
☎ 22 51 06 00

NL: VELUX Nederland B.V.
☎ 030 - 6 629 629

NZ: VELUX New Zealand Ltd.
☎ 09-6344 126

P: VELUX A/S
Sucursal em Portugal
☎ 21 880 00 60

RA: VELUX Argentina S.A.
☎ 0 114 711 5666

RCH: VELUX Chile Limitada
☎ 231.18.24

S: VELUX Svenska AB
☎ 042/144450

USA: VELUX America Inc.
☎ 1-800-88-VELUX

www.VELUX.com

Installation instructions for roof window type GVT 154. Order no. VAS 450097-0504

©1997, 2004 VELUX Group

©VELUX and the VELUX logo are registered trademarks used under licence by the VELUX Group